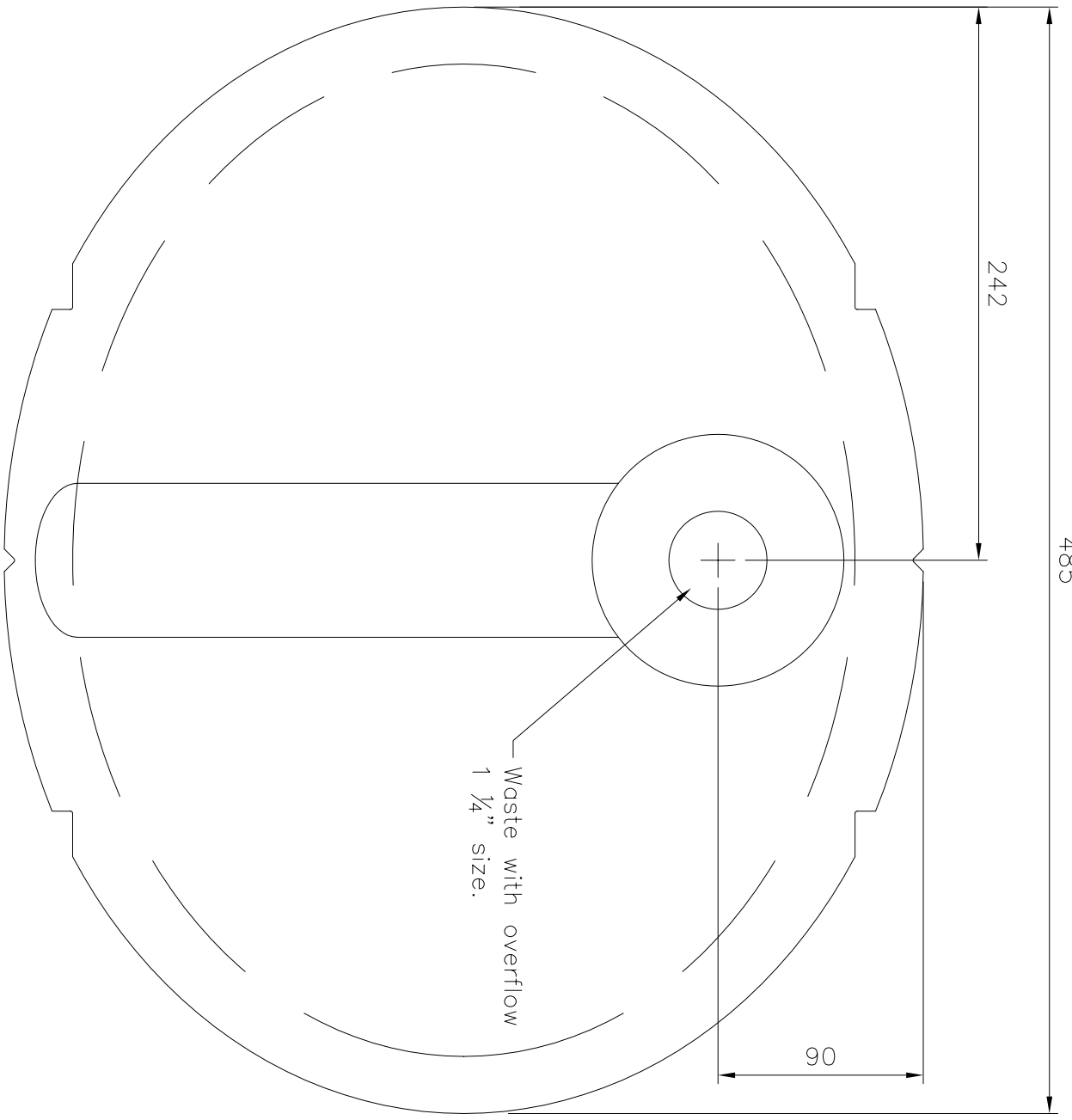


485

242

60

Waste with overflow
1 1/4" size.

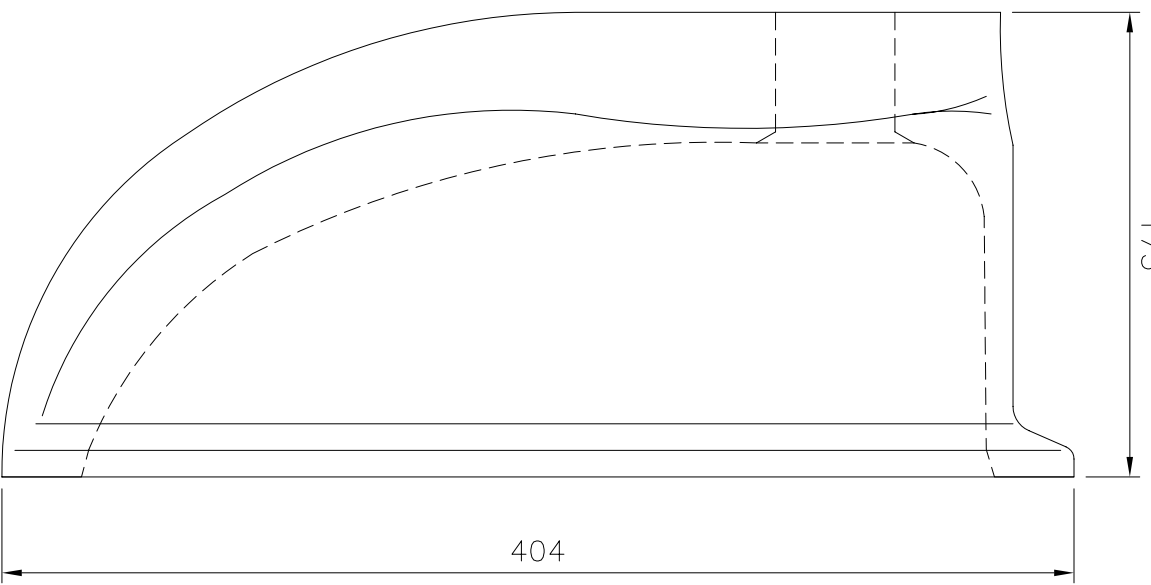


REVISIONS

Issue	DATE	DRWN BY	CHKD	DESCRIPTION OF CHANGE
1	05.10.01	DB		NEW DRAWING
2				

175

404



WALLGATE LTD.

CROW LANE, WILTON, NR, SALISBURY, WILTS, SP2 0JH.
Tel: 01722 744594, Fax: 01722 742096.

© 2001 COPYRIGHT.
THIS DRAWING IS THE PROPERTY OF WALLGATE LIMITED AND IS ISSUED ON THE STRICT UNDERSTANDING THAT THE INFORMATION CONTAINED HEREIN IS NOT TO BE REPRODUCED OR USED IN ANY MANNER WITHOUT THE PRIOR WRITTEN PERMISSION OF WALLGATE LTD.

Title. Undermount Bowl.

Dwg No. MP1582-det-04

Model/Client/Project:

All dimensions in mm.
Limits: +/- 3mm (unless stated).
All angles 90° (unless stated).

Scale NTS

3rd Angle Projection.

